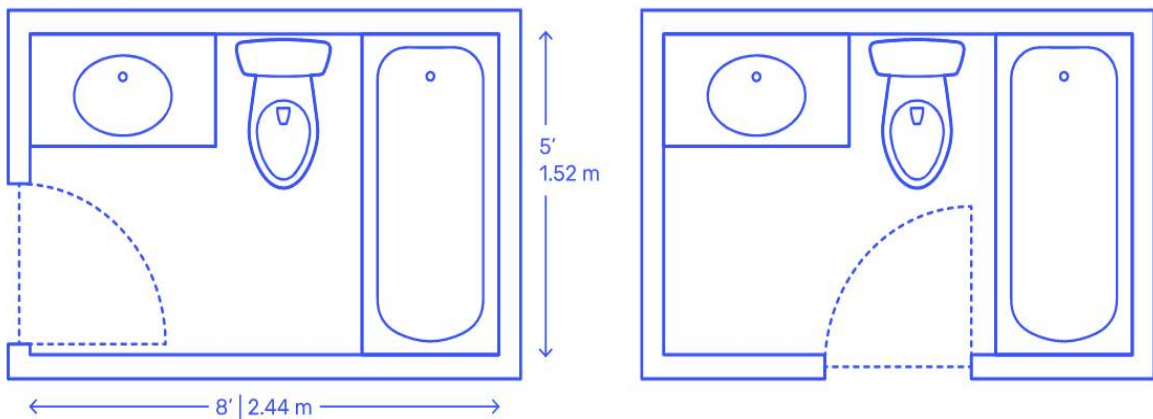


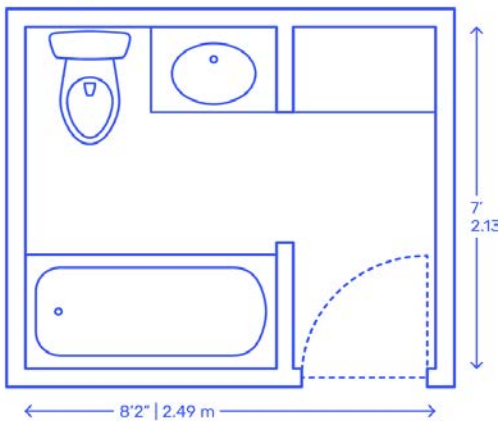
## Full Bath Side-By-Side

40 ft<sup>2</sup> | 3.7 m<sup>2</sup>

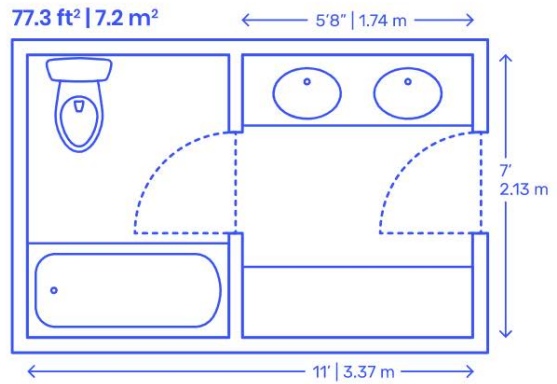
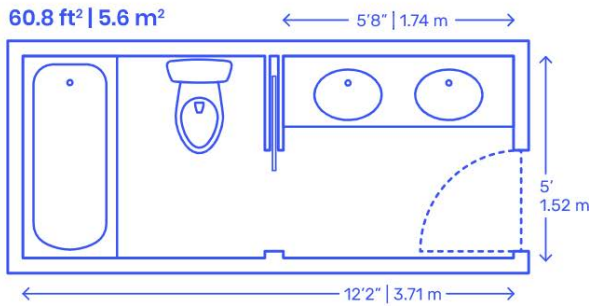


## Split Entry Bathrooms

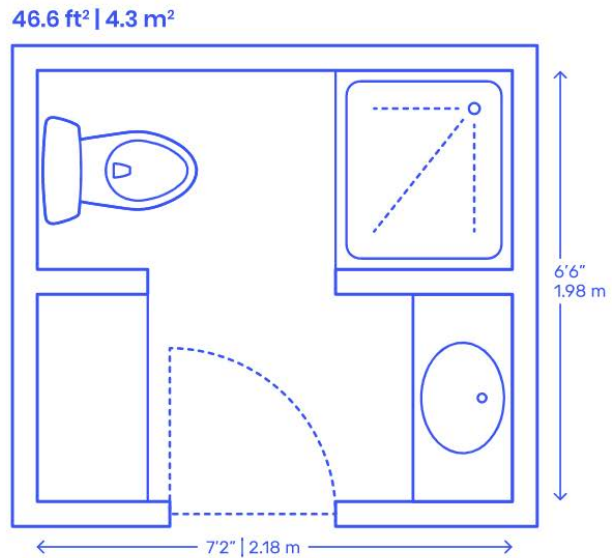
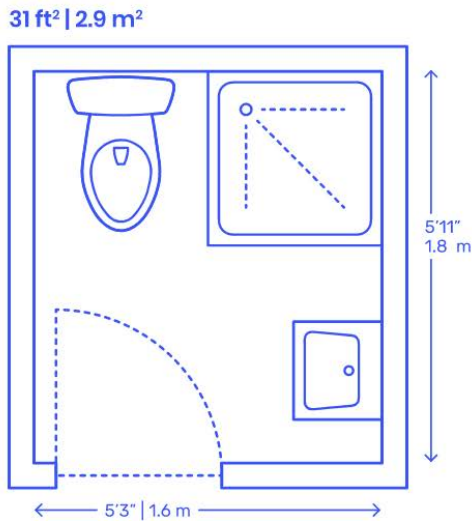
57.2 ft<sup>2</sup> | 5.3 m<sup>2</sup>



**Split Bathrooms**

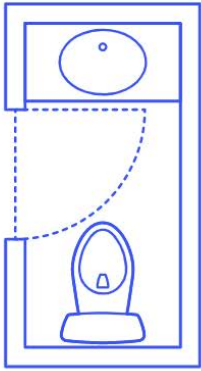


**Corner Shower Bathrooms**

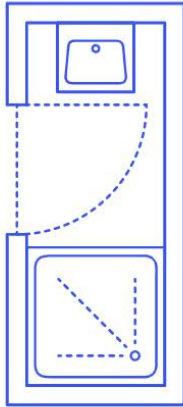


## Powder Room Layouts

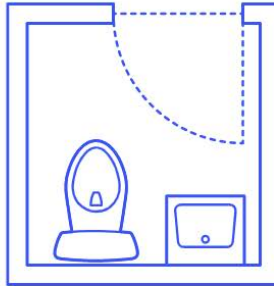
**Linear**  
18.75 ft<sup>2</sup> | 1.75 m<sup>2</sup>



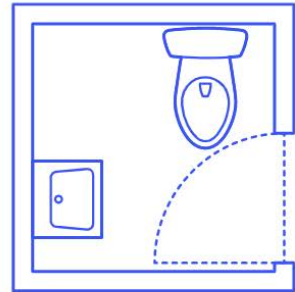
**Linear Shower**  
18.67 ft<sup>2</sup> | 1.73 m<sup>2</sup>



**Single Wall**  
21 ft<sup>2</sup> | 1.95 m<sup>2</sup>

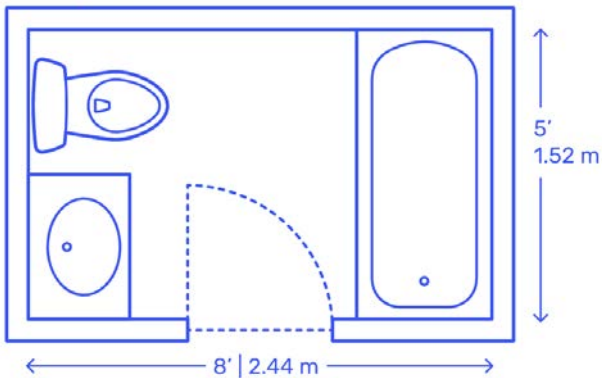


**Split**  
22.3 ft<sup>2</sup> | 2.07 m<sup>2</sup>



## Centre Split Bathroom Layout

40 ft<sup>2</sup> | 3.7 m<sup>2</sup>



## Accessible Residential Bathroom

