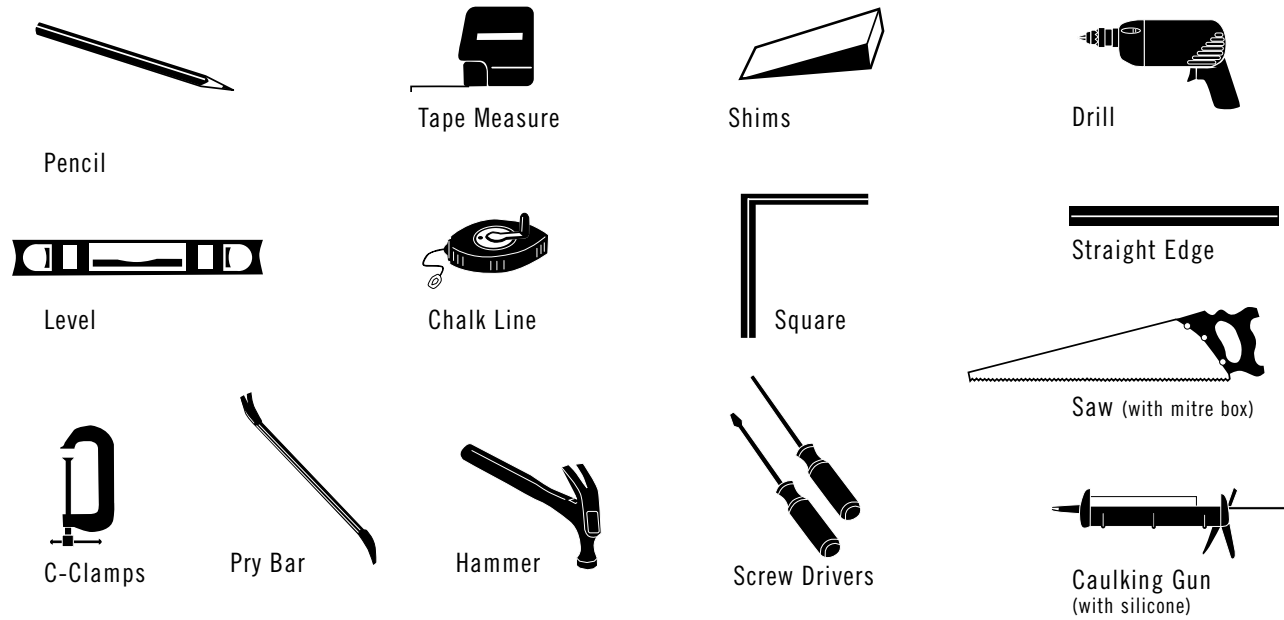


STEP 1 - Assemble your tools & materials



STEP 2 - Check your new cabinets

It is always a good idea to check to make sure that the cabinets you have are the cabinets that are required to complete your kitchen project. Don't remove your old plumbing fixtures and kitchen cabinets until you are sure you have the correct products to replace them.

A HINT FROM THE PROS!

Read through this manual carefully before starting your renovation project so you'll become familiar with all of the steps!

STEP 3 - Remove the old kitchen cabinets

Empty out your old cabinets. Shut off all water supply lines to the kitchen as well as the electricity and remove any existing appliances. It is best to move the appliances to another room for easier manoeuvring in the work area.

If you are intending to use your existing sink and taps, disconnect them carefully with the required tools and place them in a safe place away from all the construction.

Remove the old cabinets and counter tops as well as any mouldings around windows, doors etc. and any baseboards

that may be in the way of the new cabinets. Be careful when removing upper cabinets from the wall. It is best to have a friend support the old cabinet's weight when removing the last few nails or screws. This will prevent it from falling causing injury and/or damage.

Repair any damage to wall surfaces that may have resulted from tearing the old kitchen out.

STEP 4 - Preparing to install your new kitchen

Mark the location of all of the studs on the walls that are to support the new cabinets. Use a magnetic stud finder or a hammer and a small finishing nail to accomplish this. It is very important that the cabinets are firmly attached to wall studs for the optimum amount of support. In most kitchen renovations, an older home is being renovated. Houses become unlevel over long periods of time due to settling and shifting. It is important to determine where the highest point in the floor is along the walls you are going to install your cabinets. Check the floor with a level to determine this. Using a chalk line or

straight edge, draw a level line at 34 5/8" from the highest point on the floor on the wall where the new base cabinets will be installed. This line establishes the base cabinet height. Now, measure up 84" from the same high point in the floor and draw a similar level line on the wall where your wall cabinets will be installed. This line establishes the wall cabinet height.

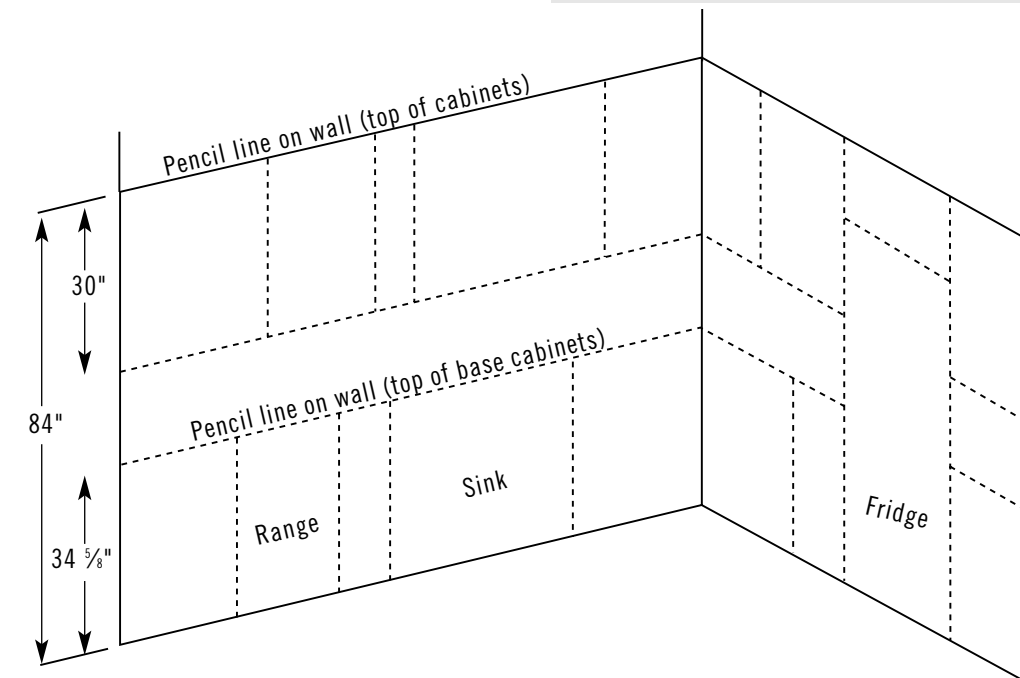
Remove the packaging as well as all of the doors, drawers, false fronts and any removable shelving from the new cabinets. This procedure will help to reduce the weight and

STEP 4 - Preparing to install your new kitchen

prevent injury or damage from falling shelves, swinging doors and sliding drawers during the initial installation phase. Your cabinets are equipped with fully adjustable clip hinges for easy door removal. You'll find the clip at the end of the hinge facing the inside of the cabinet. Simply squeeze the clip and the hinge will release without changing the door adjustment.

A HINT FROM THE PROS!

To help visualize the locations of the new cabinets it may help to draw an outline on the walls where they will be attached. Simply measure the widths of the cabinets and transfer the measurement to their respective walls.



STEP 5 - Installing the base cabinets

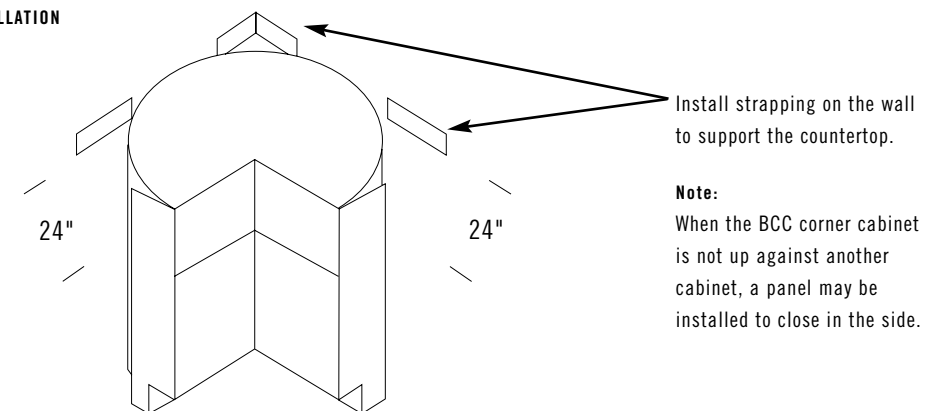
A HINT FROM THE PROS!

Some installers prefer to install the upper cabinets first. It is up to your own personal preference as to which you install first.

Start with the corner cabinet (if applicable). Slide the cabinet into the desired corner and determine if it needs to be shimmed up to the previously drawn line (34 5/8"). Shim as necessary with wood shims remembering that the after applied toe kick will cover the shims. Check the top with a level and adjust the

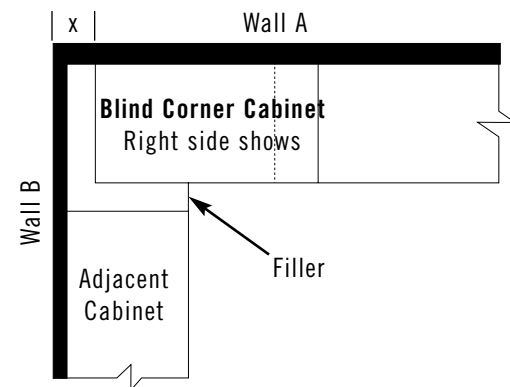
shims accordingly. When you are satisfied with the level and placement of the corner cabinet, secure it through the nailer strip into the stud using 2 1/2" wood screws (in your installation kit). Repeat this process wherever studs fall behind the corner cabinet nailer strip. If your base corner cabinet is round, fasten it to the adjacent cabinet. It may be helpful to install the round base corner cabinet to the adjacent cabinet before leveling and positioning. If there is no adjacent cabinet to the round base corner unit. Leave it unfastened until countertops are installed. Secure it in position by installing it to the underside of the countertop.

BCC UNIT INSTALLATION



Note:
When the BCC corner cabinet is not up against another cabinet, a panel may be installed to close in the side.

BLIND CORNER INSTALLATION

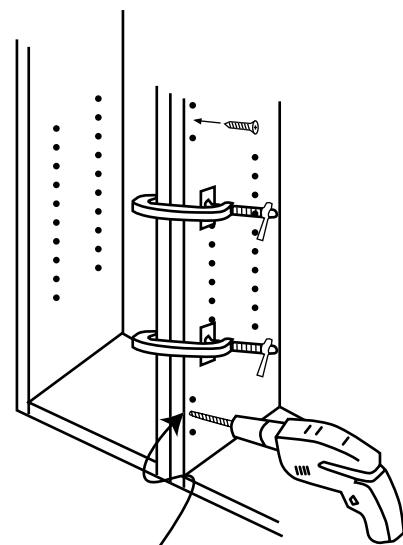


Note:
Pull Blind Corner cabinet far enough away from Wall B (Distance X) to allow the cabinet door to clear hardware on adjacent cabinet or appliance.

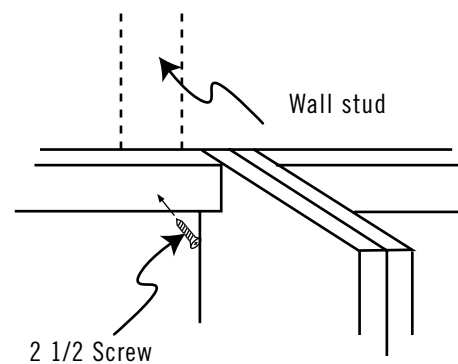
STEP 6 - Completing the base cabinets

Slide the next cabinet into position so that side is flush and plumb against the side of the previously installed corner cabinet. Using C-clamps, clamp the two cabinets together and shim under the cabinet where necessary. Check to ensure the cabinet is level. Screw the cabinets together using 1 1/8" screws supplied in your installation kit. You may want to

pre-drill these holes to prevent splitting or cracking. Use 4 screws to join the 2 cabinets together. When the 2 cabinets are secured together, secure the cabinet to the wall, following the 34 5/8" line, using 2 1/2" screws through the cabinet nailer strip into any available studs behind the cabinet. Complete the installation of the base cabinets using the same procedure.



Pre-Drill hole before using screw



A HINT FROM THE PROS!

Always pre-fit your cabinets before permanently securing them as having to change screw locations will leave unwanted holes on the insides of your new cabinets.

STEP 7 - Installing the counter tops

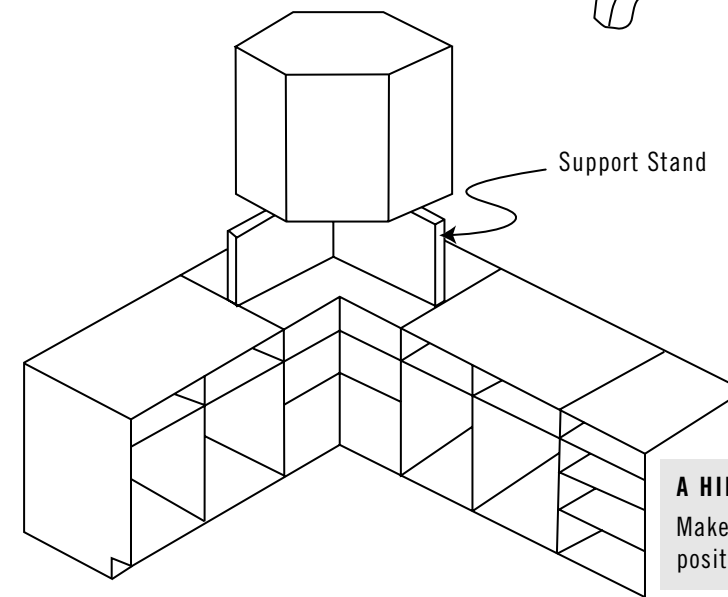
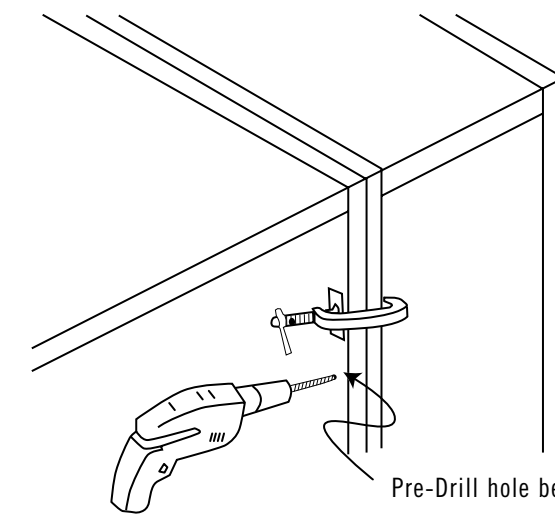
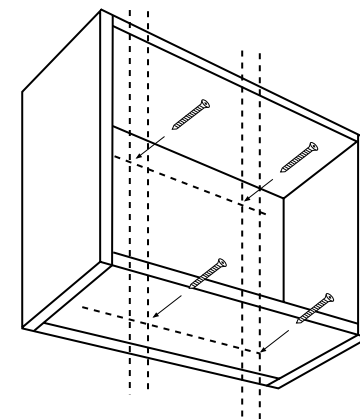
All good counter top manufacturers supply installation instructions. Follow the instructions carefully and install your new counter tops.

STEP 8 - Installing the wall cabinets

Installing the wall cabinets is similar to installing base cabinets. Start with the corner cabinet. Begin by positioning the corner cabinet so that the top is flush with the 84" level line that was drawn previously.

wall studs using the 2 1/2" screws provided in your installation kit. It is recommended that at least 4 (2 upper & 2 lower) screws secure each wall cabinet to the wall. Following the same procedure as with the base cabinets, place the next wall cabinet into position, clamp them together with C-clamps, secure the 2 cabinets together and finally, secure in to the wall. Complete the run of wall cabinets.

After checking the cabinet to ensure that it is level and plumb, secure it through the upper and lower nailer strips into the



A HINT FROM THE PROS!

Make a simple cabinet support to hold the cabinet in position during the installation process (see below).

STEP 9 - Installing fillers

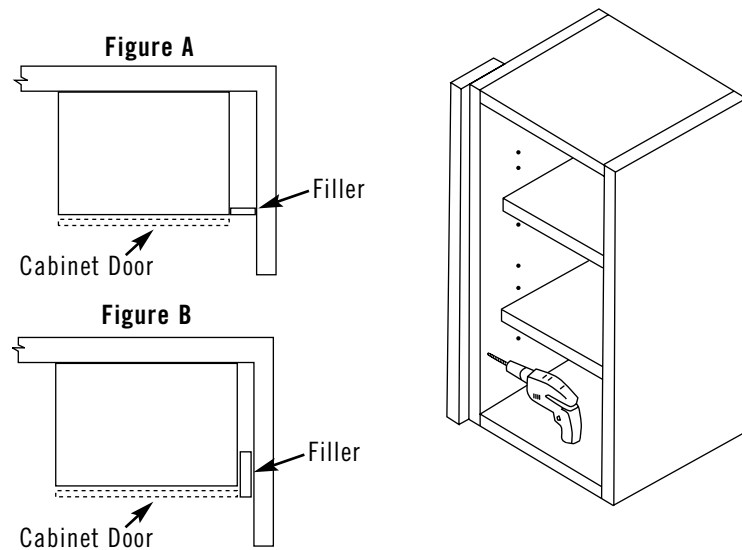
Because modular cabinets are manufactured in standard sizes, sometimes it is necessary to install filler pieces to make up extra space. There are many ways of constructing useful fillers. Ask your cabinet sales representative for other methods if the ones described here do not suit your particular situation.

The most basic application is to install one (or more) 5/8" fillers between wall and cabinet or cabinet and cabinet. Simply cut the filler to the desired size, slide it into position and secure it to the cabinet using the 1 1/8" screws provided in your installation kit. See figure A.

A HINT FROM THE PROS!

When determining the location of your fillers during the planning stage it is wise to place them (if possible) at the end of the cabinet run as they can usually be installed after the cabinets are installed. If they are placed between cabinets, make sure you remember to install them in the correct location during the installation procedure.

An alternate method would be to install the filler against the side of the cabinet as in Figure B.



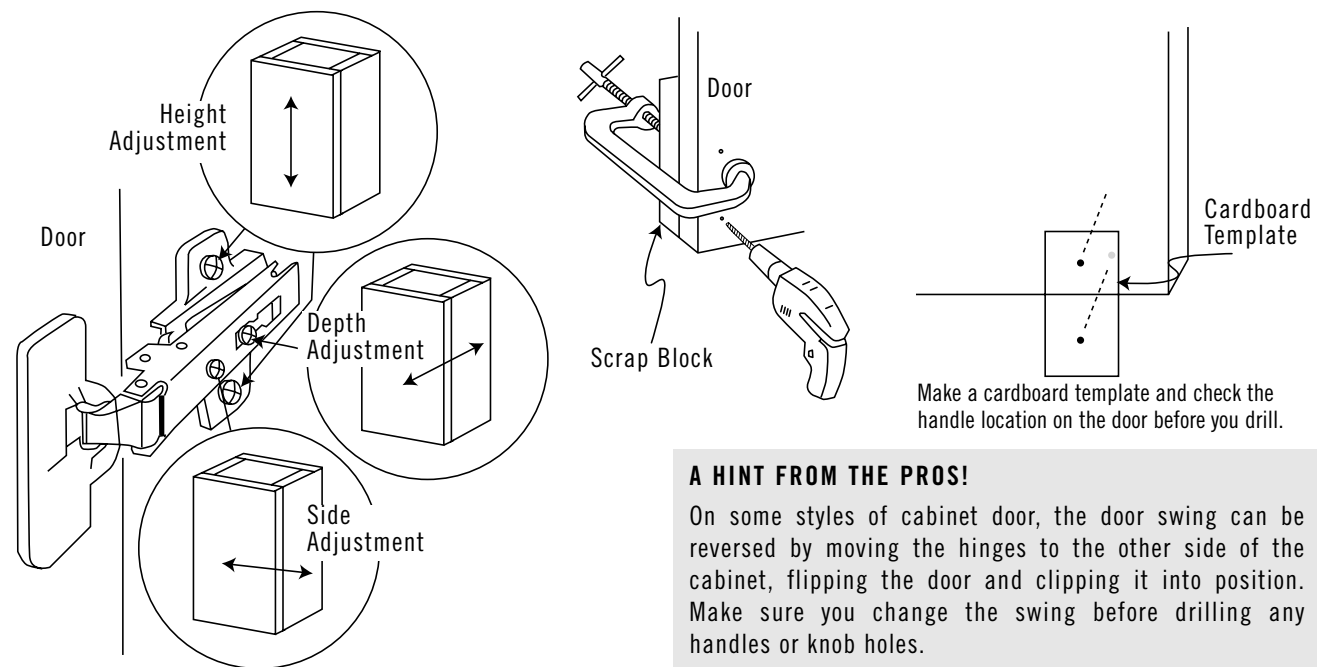
Note:
Pre-Drill holes and install filler to cabinet before installing the cabinet.

A HINT FROM THE PROS!
When cutting melamine covered wood, put masking tape under your pencil line before cutting to prevent any chipping or flaking due to the blade of the saw.

STEP 10 - Finishing the installation

Once all the cabinets are installed, re-install the removable shelving, false fronts and drawers. Install the cabinet doors and adjust using the procedures mentioned below. Also install the knobs or handles (if applicable). Drawer fronts can be adjusted by loosening the screw that attach the drawer front to the drawer box, repositioning the drawer front and re-tightening the screws. This should be done before installing the knobs or handles.

Measure and cut the toe kicks and attach using finishing nails or panel adhesive. Run silicone caulking compound where the base cabinets meet the walls and floor and along the backsplash of the counter top to prevent any moisture from seeping in, after it is dry wipe all of the cabinets with a mild soap, warm water and a soft cloth. Your completed cabinets are ready to enjoy for years to come.



A HINT FROM THE PROS!
On some styles of cabinet door, the door swing can be reversed by moving the hinges to the other side of the cabinet, flipping the door and clipping it into position. Make sure you change the swing before drilling any handles or knob holes.

Continuing care

Our finishes feature the Craft Guard finishing system and will retain their beauty with the simplest of care. Use warm water and mild, non-abrasive soap and a soft cloth for cleaning. Never use thinners, scrapers or abrasive cleaners on Craft Guard finishes.

